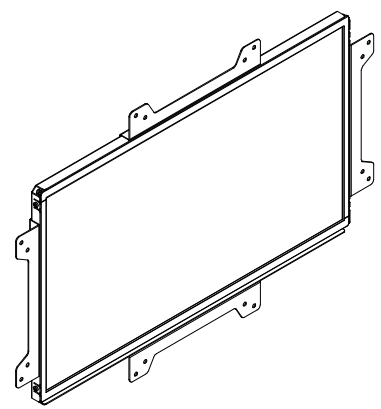
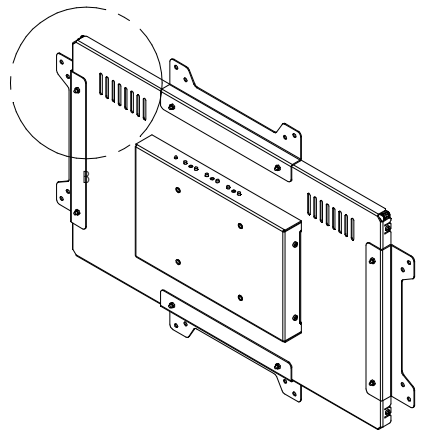
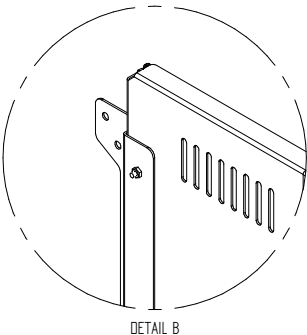
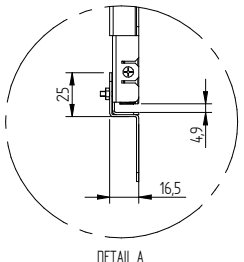
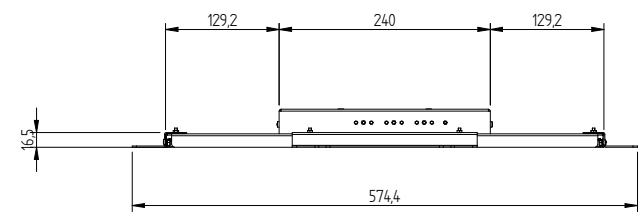
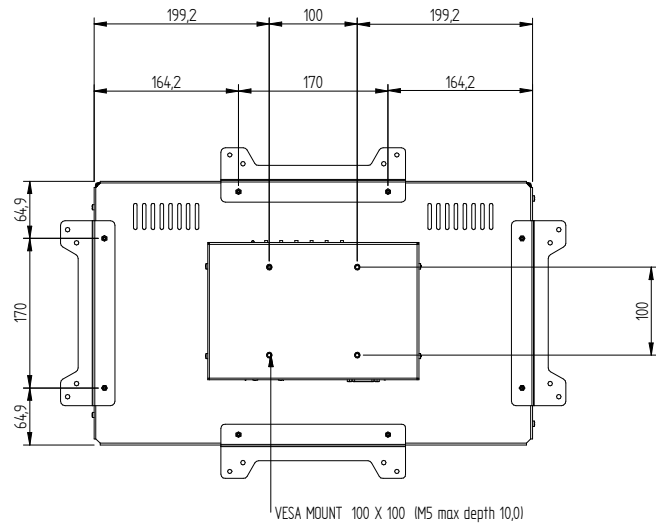
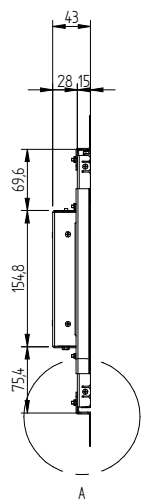
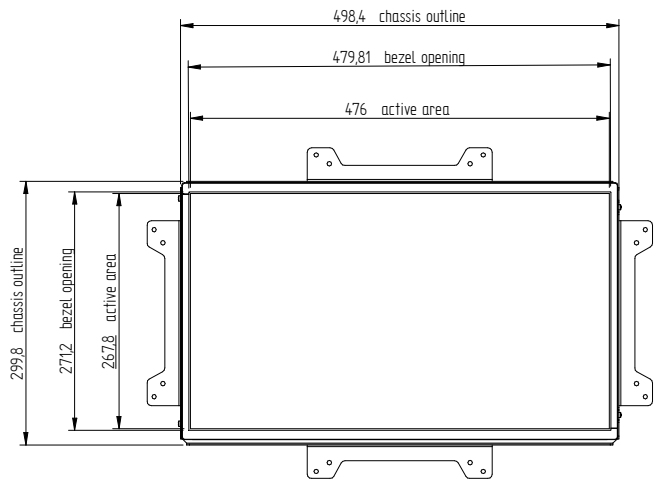
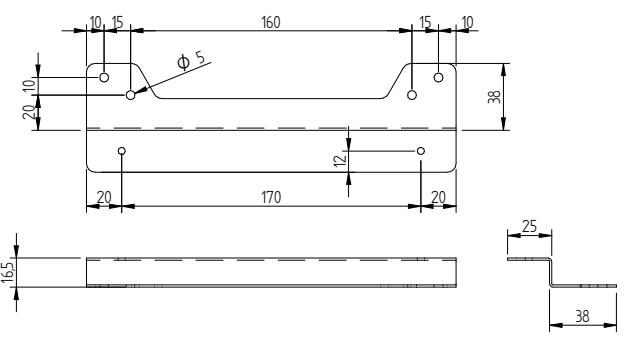


REV.	DESCRIPTION	DATE
1	INITIAL DESIGN	01/01/2011
2	REVISED DESIGN	01/01/2011
3	REVISED DESIGN	01/01/2011
4	REVISED DESIGN	01/01/2011
5	REVISED DESIGN	01/01/2011
6	REVISED DESIGN	01/01/2011
7	REVISED DESIGN	01/01/2011
8	REVISED DESIGN	01/01/2011
9	REVISED DESIGN	01/01/2011
10	REVISED DESIGN	01/01/2011
11	REVISED DESIGN	01/01/2011
12	REVISED DESIGN	01/01/2011
13	REVISED DESIGN	01/01/2011
14	REVISED DESIGN	01/01/2011
15	REVISED DESIGN	01/01/2011
16	REVISED DESIGN	01/01/2011
17	REVISED DESIGN	01/01/2011
18	REVISED DESIGN	01/01/2011
19	REVISED DESIGN	01/01/2011
20	REVISED DESIGN	01/01/2011
21	REVISED DESIGN	01/01/2011
22	REVISED DESIGN	01/01/2011
23	REVISED DESIGN	01/01/2011
24	REVISED DESIGN	01/01/2011



DETAIL DRAWING MOUNTING BRACKET



IL DISEGNO E TUTTI I DIRITTI SONO DI PROPRIETA' DI DISPLAY-HUB GROUP DRAWINGS AND ALL RIGHTS RESERVED BY DISPLAY-HUB GROUP	
Versione: 01 Data: 01/01/2011	Disegnato: R Verificato: R Approvato: R
Descrizione: OPEN FRAME 21,5" FHD 350Hz No Touch	Codice: 0215RN350V1
Foglio: 1 Totale: 1	Data: 01/01/2011