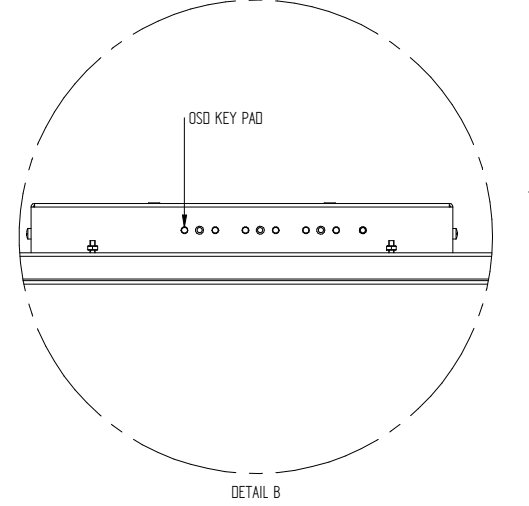
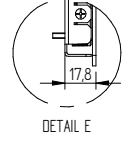
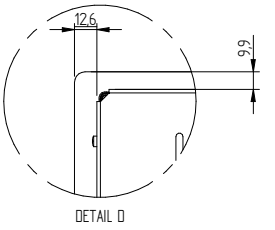
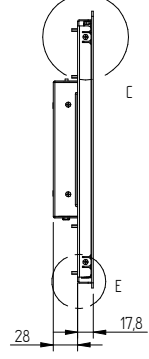
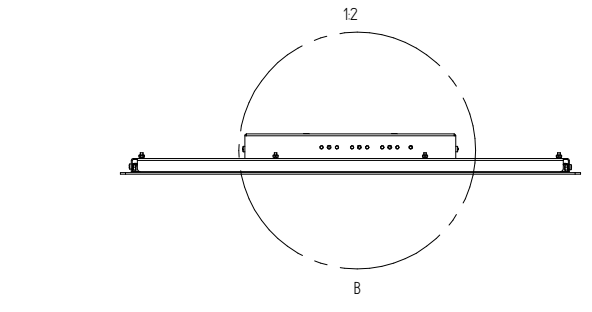
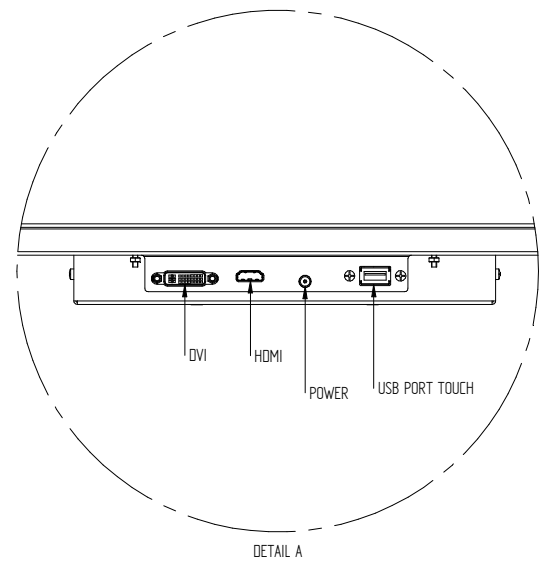
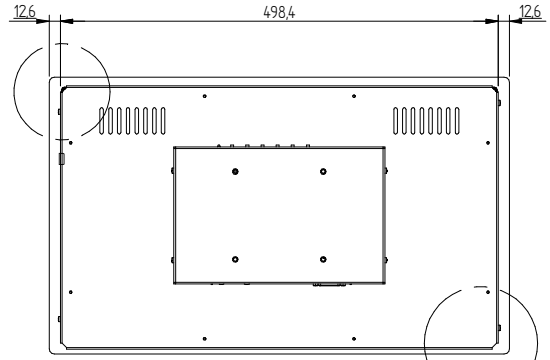
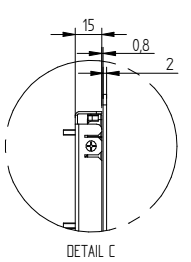
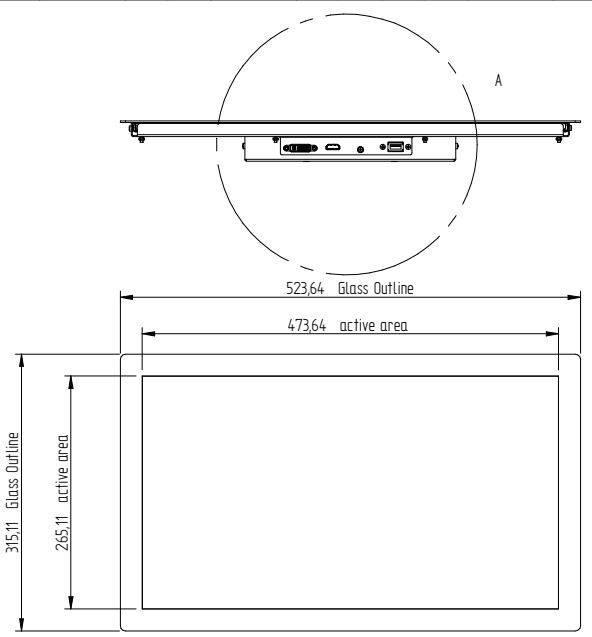
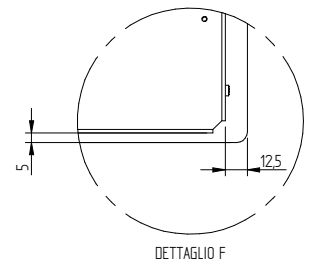
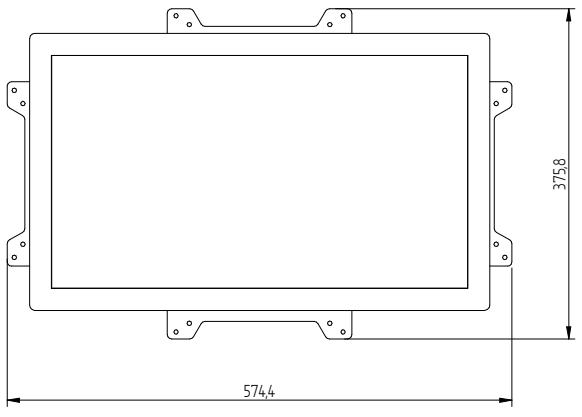


| | | | | | | | | | | | | | | | | | | | | | | | | | |
|--------|---|---|---|---|---|---|---|---|---|----|----|----|----|----|----|----|----|----|----|----|----|----|----|----|--|
| Rev. | 1 | 2 | 3 | 4 | 5 | 6 | 7 | 8 | 9 | 10 | 11 | 12 | 13 | 14 | 15 | 16 | 17 | 18 | 19 | 20 | 21 | 22 | 23 | 24 | |
| Descr. | | | | | | | | | | | | | | | | | | | | | | | | | |
| Aut. | | | | | | | | | | | | | | | | | | | | | | | | | |
| Ver. | | | | | | | | | | | | | | | | | | | | | | | | | |
| Rev. | | | | | | | | | | | | | | | | | | | | | | | | | |



TRUE-FLAT-GLASS/ TRUE-FLAT-TOUCH



| | |
|---------------------------------|--|
| displayhub | |
| professional optoelectronics | |
| 00000000 | |
| 00-00-20 | |
| OPEN FRAME 21,5 FHD 350Hz TOUCH | |
| OF2158T350V2 | |