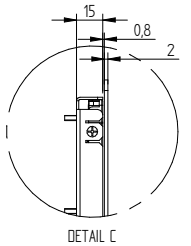
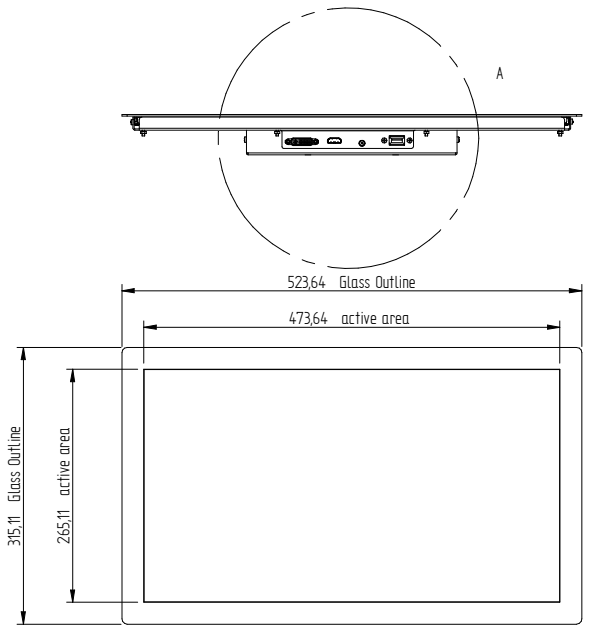
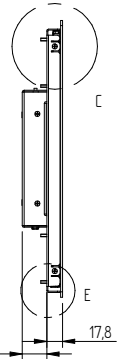
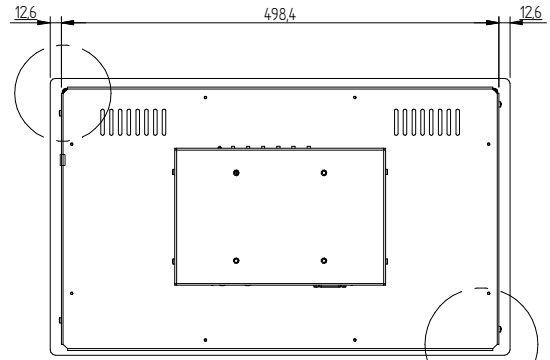


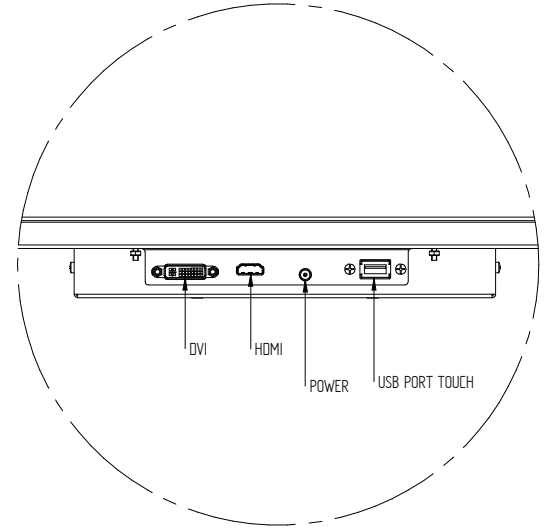
NO. OF SHEETS	24
SHEET NO.	24
DATE	17/05/2017
SCALE	1:1
DRAWN BY	12
CHECKED BY	12
APPROVED BY	12



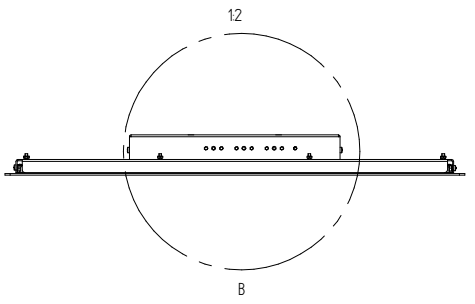
DETAIL C



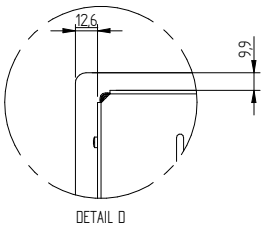
DETAIL E



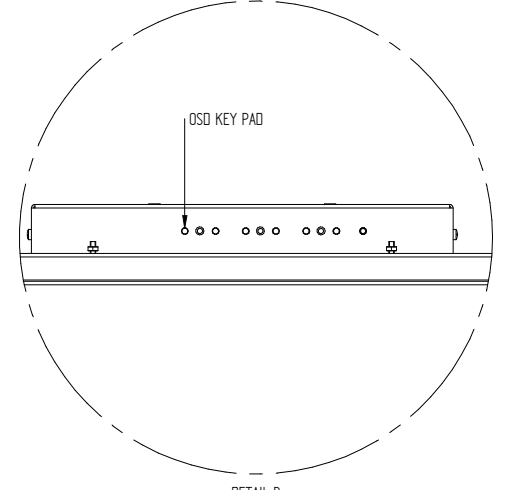
DETAIL A



B

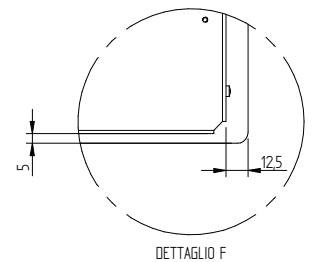
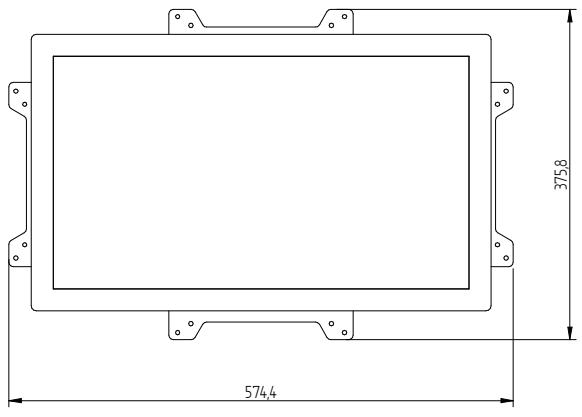


DETAIL D



DETAIL B

TRUE-FLAT-GLASS/ TRUE-FLAT-TOUCH



DETTAGLIO F

CAD		B	
displayhub professional electronics			
S. GIOSEONE TUTTI I DIRITTI SONO RISERVATI © DISPLAYHUB GROUP			
DRYING ROOMS AND ALL RIGHTS RESERVED BY DISPLAYHUB GROUP			
PRODOTTO IN ITALIA		MADE IN ITALY	
0215875002			
OPEN FRAME 21,5" FHD 300ITE TOUCH			
OF215875002			