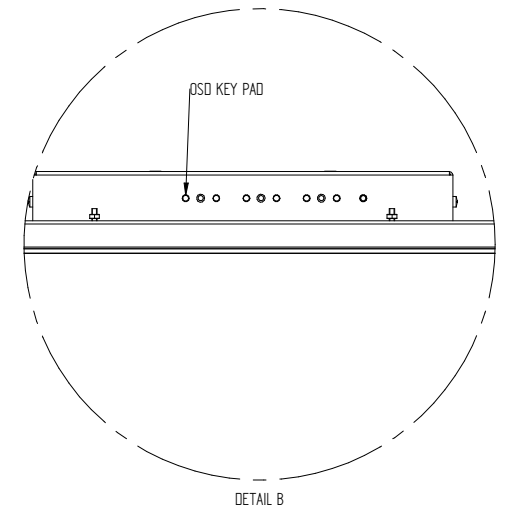
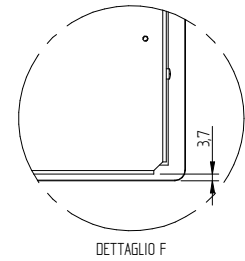
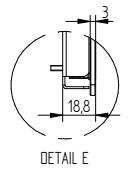
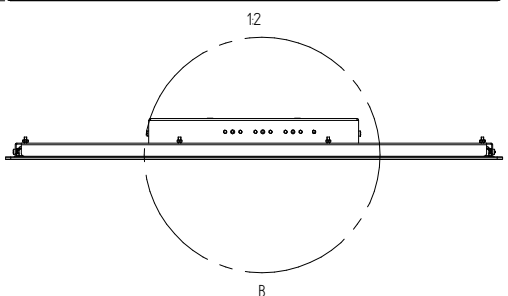
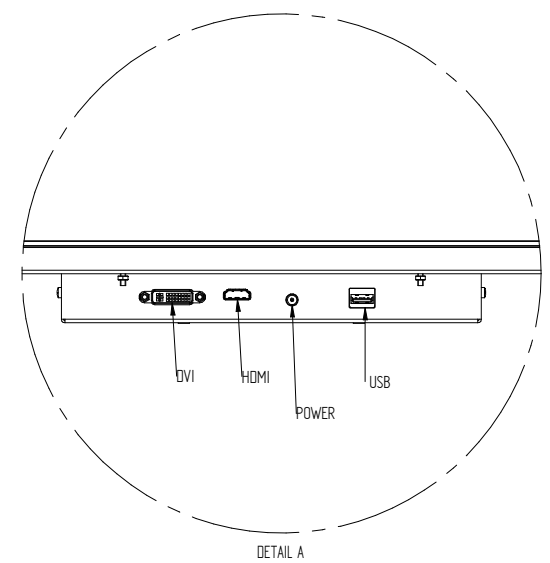
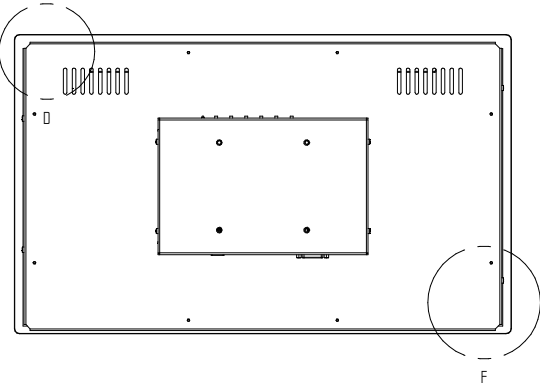
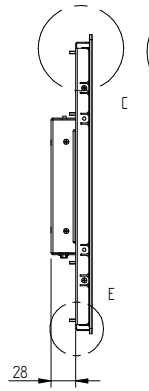
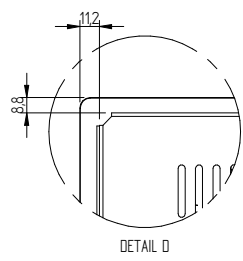
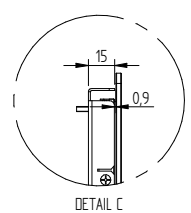
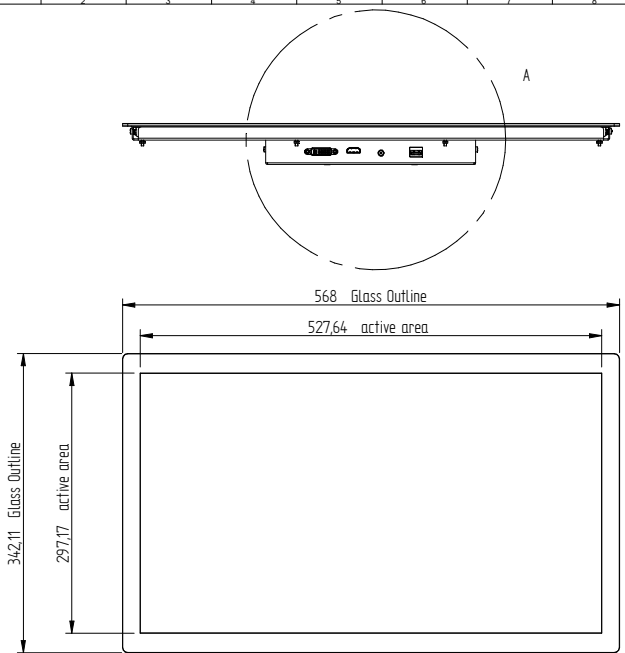
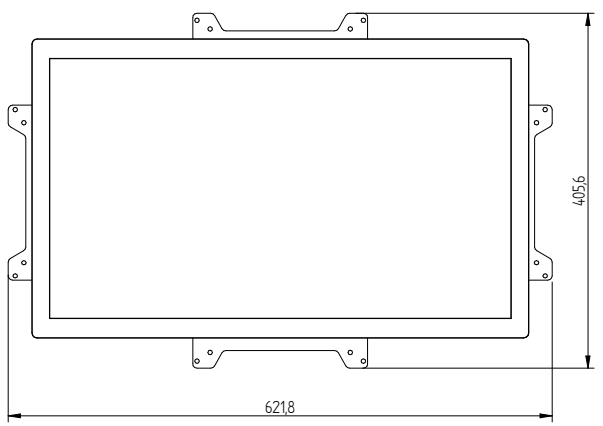


REV	DESCRIPTION	DATE
01	INITIAL DESIGN	15-05-20
02	REVISED	15-05-20
03	REVISED	15-05-20
04	REVISED	15-05-20
05	REVISED	15-05-20
06	REVISED	15-05-20
07	REVISED	15-05-20
08	REVISED	15-05-20
09	REVISED	15-05-20
10	REVISED	15-05-20
11	REVISED	15-05-20
12	REVISED	15-05-20
13	REVISED	15-05-20
14	REVISED	15-05-20
15	REVISED	15-05-20
16	REVISED	15-05-20
17	REVISED	15-05-20
18	REVISED	15-05-20
19	REVISED	15-05-20
20	REVISED	15-05-20
21	REVISED	15-05-20
22	REVISED	15-05-20
23	REVISED	15-05-20
24	REVISED	15-05-20



TRUE-FLAT-GLASS/ TRUE-FLAT-TOUCH



CAD		B		A DISCIPLINA E TUTTI I DIRITTI SONO DI PROPRIETA' DI DELL'AVANTI GROUP. ILLUSTRAZIONE E TUTTI I DIRITTI SONO DI PROPRIETA' DI DELL'AVANTI GROUP. ILLUSTRAZIONE	
E		E		E	
T		T		T	
S		S		S	
R		R		R	
Q		Q		Q	
P		P		P	
O		O		O	
N		N		N	
M		M		M	
L		L		L	
I		I		I	
H		H		H	
G		G		G	
F		F		F	
E		E		E	
D		D		D	
C		C		C	
B		B		B	
A		A		A	

OPEN FRAME 23.8 FHD 300Hz Touch

0F2388T300V1